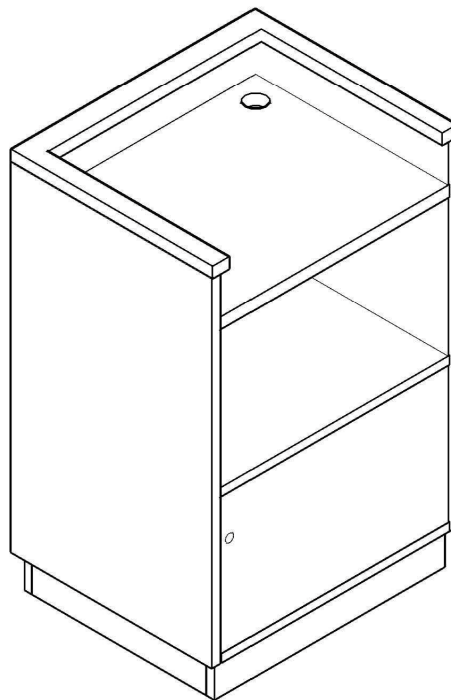


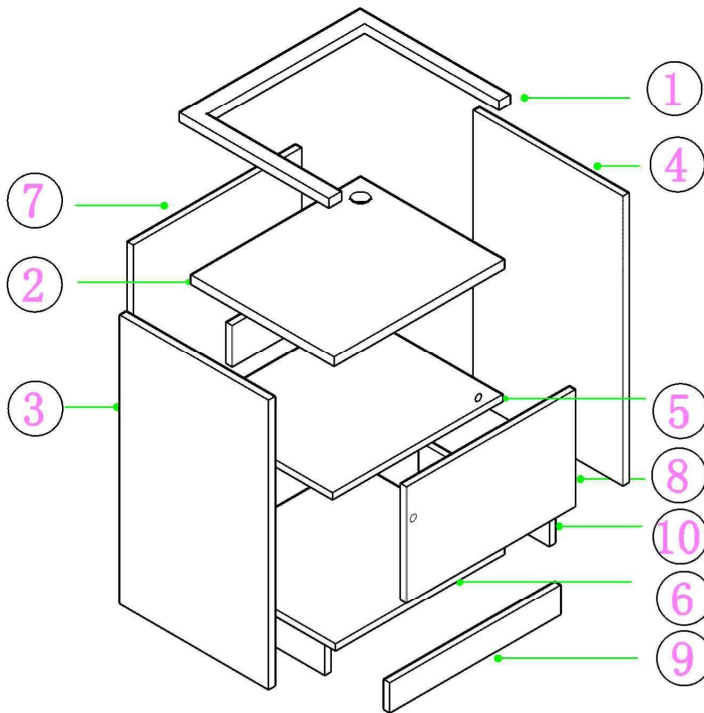
ASSEMBLY INSTRUCTIONS MANUAL

CASH REGISTER TIMBER COUNTER

**SW711** 600mm (D) × 500mm (W) × 950mm (H)



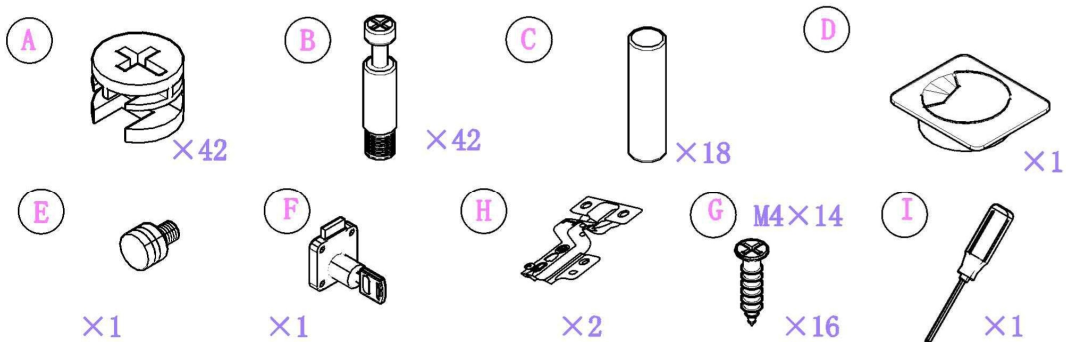
## IDENTIFY PARTS:



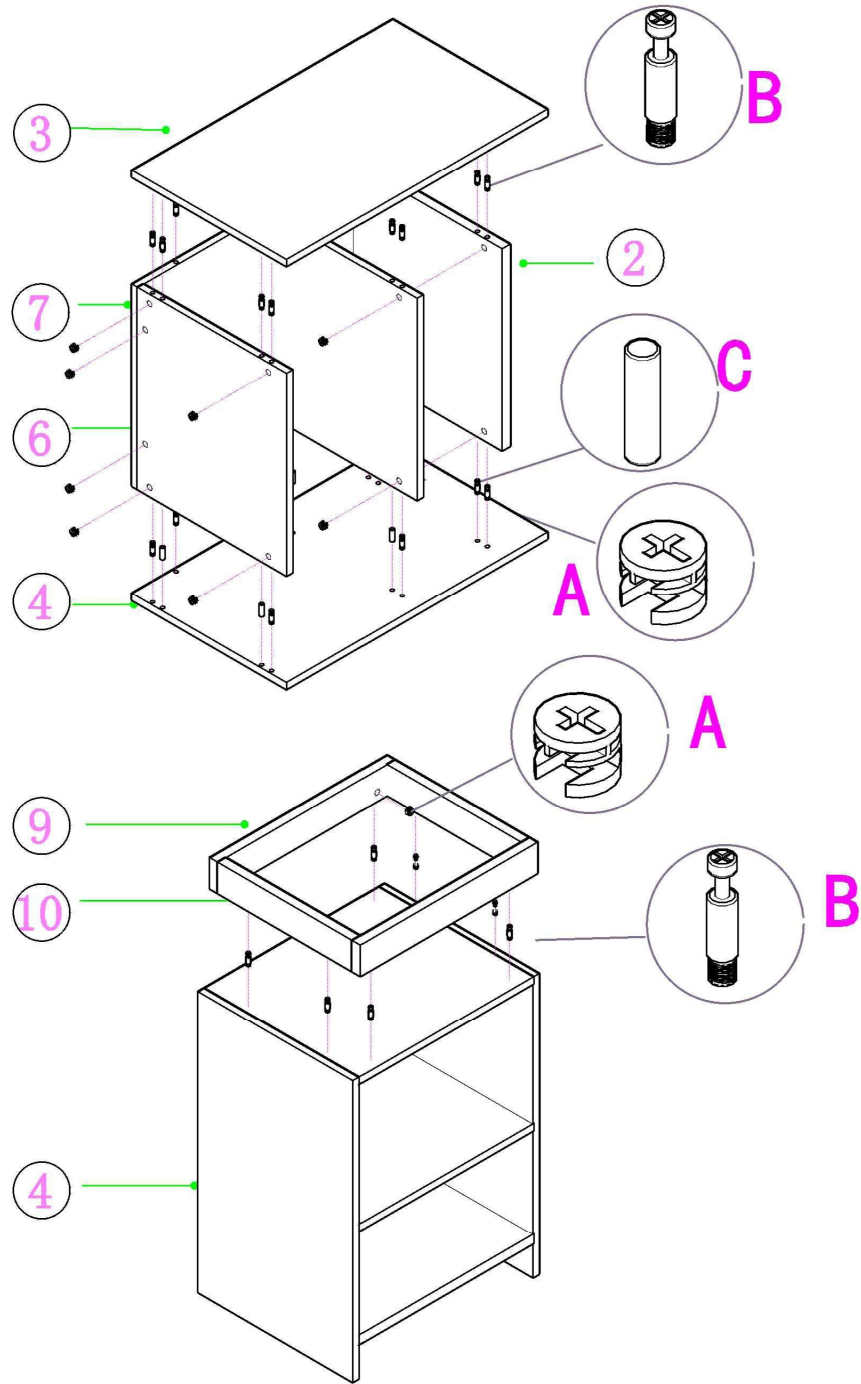
Please check below measurement sizes to identify parts:

Item	Size	Qty
1	600*500*25	1
2	563*479*25	1
3	840*498*18	1
4	840*498*18	1
5	563*479*18	1
6	563*479*18	1
7	840*563*18	1
8	337*558*18	1
9	573*85*25	2
10	420*85*25	2

## HARDWARE CONTENTS:



STEP 1



STEP 2

